

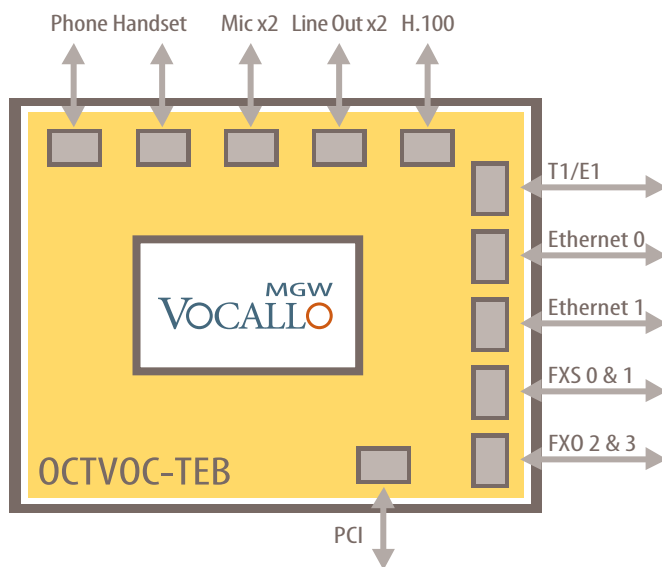
MGW VOCALLO

Telecom Evaluation Board



Jump-start your product development.

The Vocallo MGW Telecom Evaluation Board (TEB) allows designers to quickly and effectively evaluate Octasic's Vocallo MGW solution. Providing a range of standard telecommunication interfaces, the board easily connects to either the network or to standard telecom test equipment. With this TEB, designers can begin prototyping with the Vocallo API to evaluate device functionality and performance.



This Evaluation Board enables designers to:

- Start application software development immediately
- Perform inter-operability tests
- Perform voice quality tests
- Run supplied software application examples
- Build application prototypes

FEATURES

- Voice and video over packet
- Voice compression
- Video compression
- A/V conferencing
- Wireless protocols
- Signaling protocols
- Echo cancellation & voice quality enhancement

Interfaces

- 2 Gigabit Ethernet ports
- 1 T1/E1/J1 framer port
- 2 FXO/FXS ports
- 2 Phone handset ports
- 2 Stereo audio ports
- RS-232 for debugging
- PCI 2.3 compliant
- Standalone operation or PCI

Ordering information: OCTVOC-TEB

All brand and product names are trademarks of their respective holders. Information in this document is proprietary to Octasic. Octasic has made every effort to ensure that the information contained in this product brief is accurate, however we accept no responsibility for errors or omissions and we reserve the right to modify the design, characteristics and products at any time without notification or obligation. For the most recent version of this document or product specifications, please contact Octasic.