

# MGW VOCALLO

Telecom Evaluation Platform



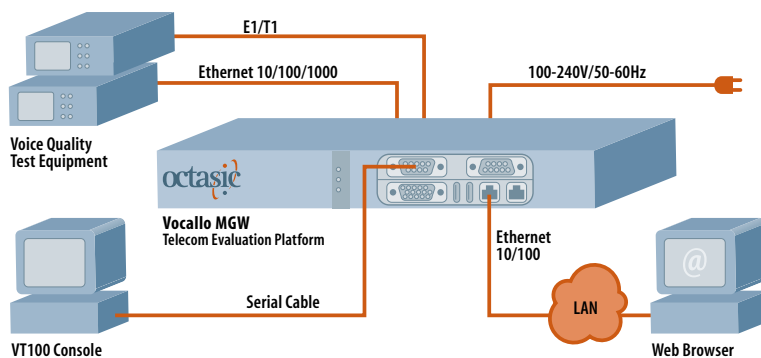
## Jump-start your product evaluation.

The Vocallo MGW Telecom Evaluation Platform (TEP) is available as a fully functional gateway appliance. Housed in a standalone 1U sized metal enclosure it allows users to quickly evaluate quality, compliance and interoperability of the Vocallo MGW solution.

Designed for testing within a laboratory environment, the TEP is in essence a complete gateway-in-a-box. By means of the intuitive web-based control panel the user is able to easily configure the system to inter-operate with off-the-shelf telecom test equipment.

Evaluation tests can be up and running in a matter of minutes, without having to develop test scripts or test hardware.

Interfaces supported include Ethernet, RS-232 and E1/T1. Having these interfaces enables the user to connect directly to a network allowing the unit to be tested under live network conditions.



## This Evaluation Platform allows the user to:

- Start Vocallo MGW evaluation immediately
- Perform inter-operability tests
- Perform voice and video quality tests
- Perform in-network tests

The unit supports multiple SIP phones, POTS phones and has conferencing capability.

## FEATURES

- Voice and video over packet
- Voice compression
- Video compression
- A/V conferencing
- Wireless protocols
- Signaling protocols
- Echo cancellation & voice quality enhancement

## Interfaces

- 2 Ethernet ports
- 2 T1/E1/J1 framer ports
- 2 FXO ports and 2 FXS ports
- 1 Stereo audio port
- RS-232

Ordering information: OCTVOC-TEP

All brand and product names are trademarks of their respective holders. Information in this document is proprietary to Octasic. Octasic has made every effort to ensure that the information contained in this product brief is accurate, however we accept no responsibility for errors or omissions and we reserve the right to modify the design, characteristics and products at any time without notification or obligation. For the most recent version of this document or product specifications, please contact Octasic.